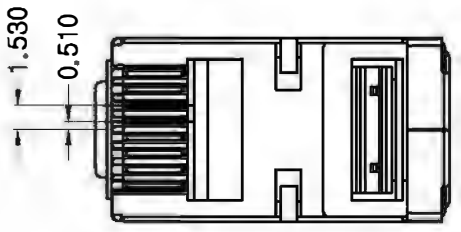
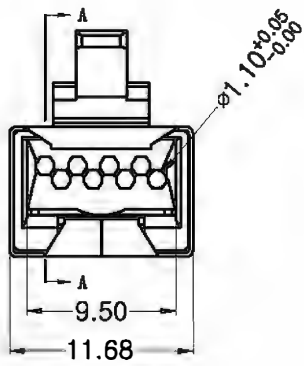
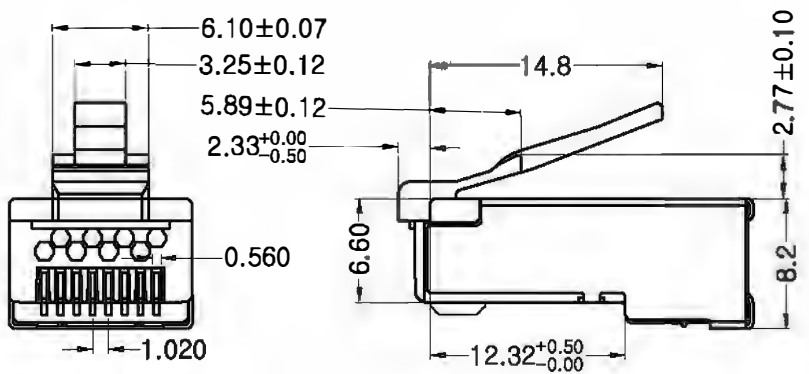


SECTION A-A



NOTES:

- 1. Operation Temperature: -40°C ~ +85°C.
- 2. Electrical Characteristics:
 - 2.1 > Rated Current : 125V AC, 1.5A @ 25°C.
 - 2.2 > Contact Resistance : 20mΩ Max.
 - 2.3 > Insulation Resistance: 500MΩ Min, 100V DC/min.
 - 2.4 > Voltage Proof: 1000V AC/1 minute no breakdown
- 3. Mechanical Characteristics:
 - 3.1 > Insertion Force & Withdrawal Force : 30N Max.
 - 3.2 > Durability: 750 cycles Min.
- 4. Environmental compliance:
 - 4.1 > the products are compliant with the RoHS, and REACH etc.

1	Modular Plug	Shell	1PCS	Square hole	Au: G/F" <input type="checkbox"/> 1u" <input type="checkbox"/> 3u" <input type="checkbox"/> Ni: 80u" <input checked="" type="checkbox"/>	Brass <input checked="" type="checkbox"/> Spcc <input type="checkbox"/>
		Contacts	8PCS	2 Prongs <input type="checkbox"/> 3 Prongs <input checked="" type="checkbox"/>	G/F" <input type="checkbox"/> 1u" <input type="checkbox"/> 3u" <input checked="" type="checkbox"/> 6u" <input type="checkbox"/>	Brass <input checked="" type="checkbox"/> Phosphor copper <input type="checkbox"/>
		Housing	1PC	transparent PC		94V-2 <input checked="" type="checkbox"/> 94V-0 <input type="checkbox"/>
NO.	NAME	QTY	DESCRIPTION		MATERIAL	

ITEM NO:				DRAWER	FW
TITLE				DATE	20240122
CUSTOMER				CHECKED	ACE
MATERIAL	SCALE	UNIT	MM	DATE	20240122
REV.	A				
DRAWING NO:	40122102				
ACAD FILE	E:\				