

## Cat.6 Wall Outlet

### Technical Features

Category 6 Class E 250 MHz

ISO/IEC 11801 and TIA/EIA 568B.2-1

2 shielded RJ45 jacks 40° angled

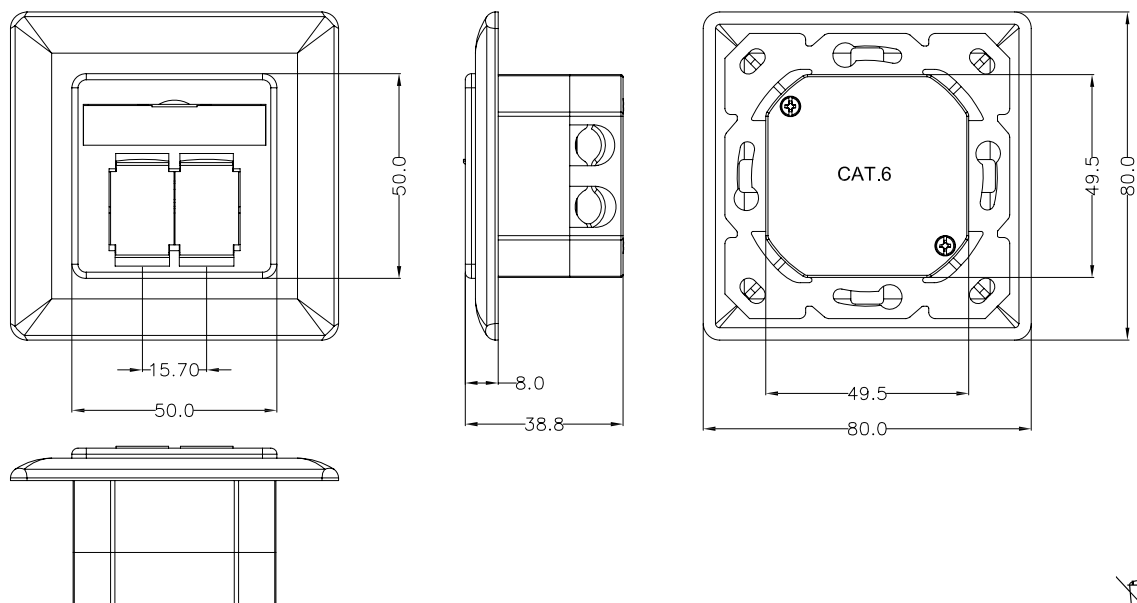
Fully shielded housing

Flush-mounted type

Supports PoE, PoE+ and PoE++

Suitable surface back box: NP0221

### Technical Drawing



Part no.	Color	EAN Code
NP0023	Pure white	4052792027297
NP0024	Pearl white	4052792027303

## Package Content

Cat.6 Wall Outlet x1

## Packaging Information

Packing Dimension	80 x 80 x 40mm
Packing Weight	0.25kg
Carton Dimension	365 x 365 x 300mm
Carton Q'ty	64pcs
Carton Weight	17.6kg

