

Adjustable Drop Flat Screen Ceiling Mount with Tilt

For more information please visit www.btechavmounts.com/BT8426

BT8426



BT8426

Adjustable drop flat screen ceiling mount with tilt

Designed for med/large screens up to 50" (127cm) / 40kg (88lbs)

- Designed for screens up to 50" (127cm) / 40kg (88lbs)
- Fits screens with VESA mounting patterns: 75 x 75mm, 100 x 100mm, 200 x 100mm, 200 x 200mm, 200 x 300mm, 300 x 200mm, 300 x 300mm, 400 x 200mm, 400 x 300mm and 400 x 400mm
- Adjustable ceiling drop: 625mm (24.6") - 850mm (33.5") in 25mm (1") increments
- Easy adjustment of tilt +15° with fixed positions of 0°, +7.5° and +15°
- Integrated cable management
- Mounts screen in landscape or portrait formats
- Cover plate included for smart installation
- Simple 'hook-on' installation with all mounting hardware included



Features +15° tilt



Simple 'hook-on' installation



Integrated cable management

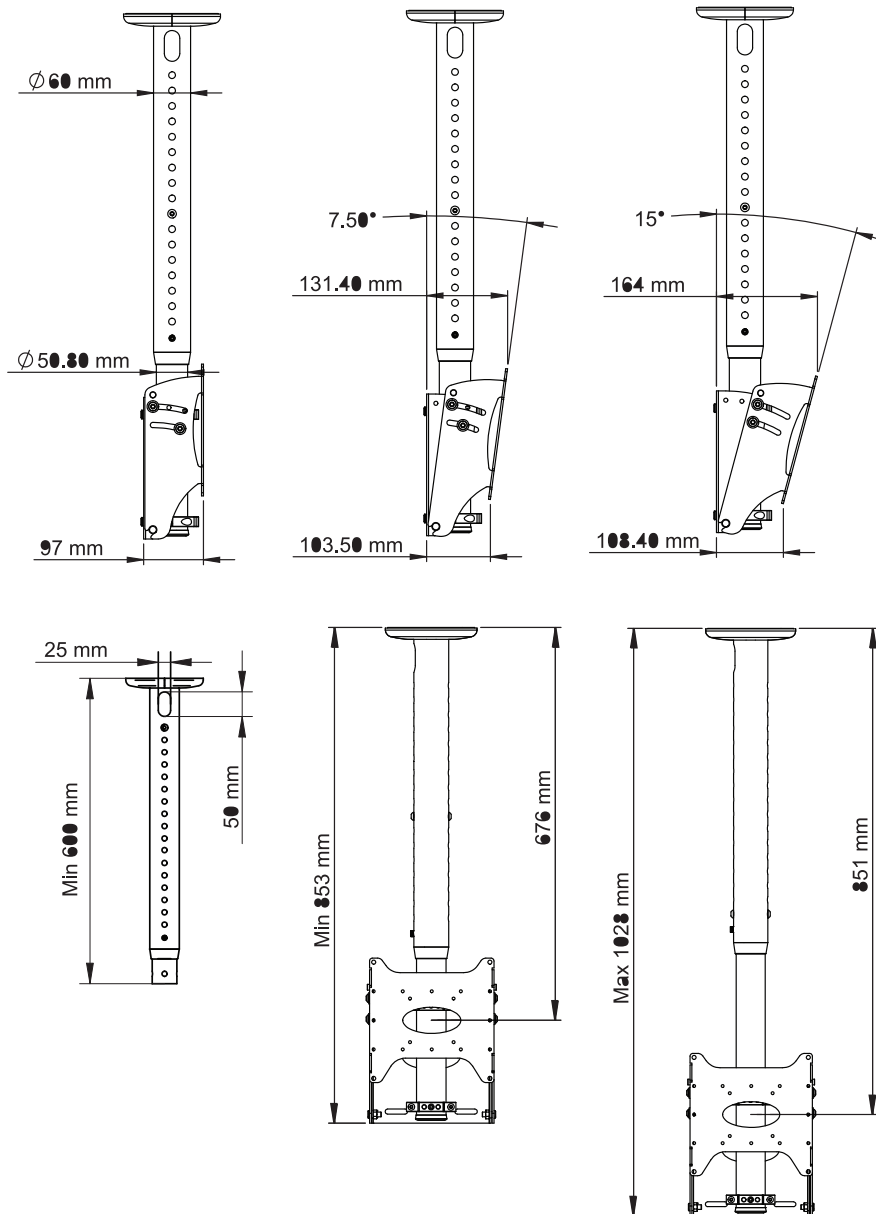


Ceiling drop: 625mm - 850mm in 25mm (1") increments

Adjustable Drop Flat Screen Ceiling Mount with Tilt

For more information please visit www.btechavmounts.com/BT8426

BT8426



Colour:	Order Ref:	EAN Code:	Master Carton Qty:	Inner Carton Qty:	Master Carton Weight:	Master Carton Cube:
Black	BT8426/B	5019318084713	1	N/A	10kg (22.05lbs)	1.589cuft (0.045cbm)

This information is intended as a guide only and reflects the current specification at the time of print. B-Tech accepts no liability for the accuracy of the information contained in this document.